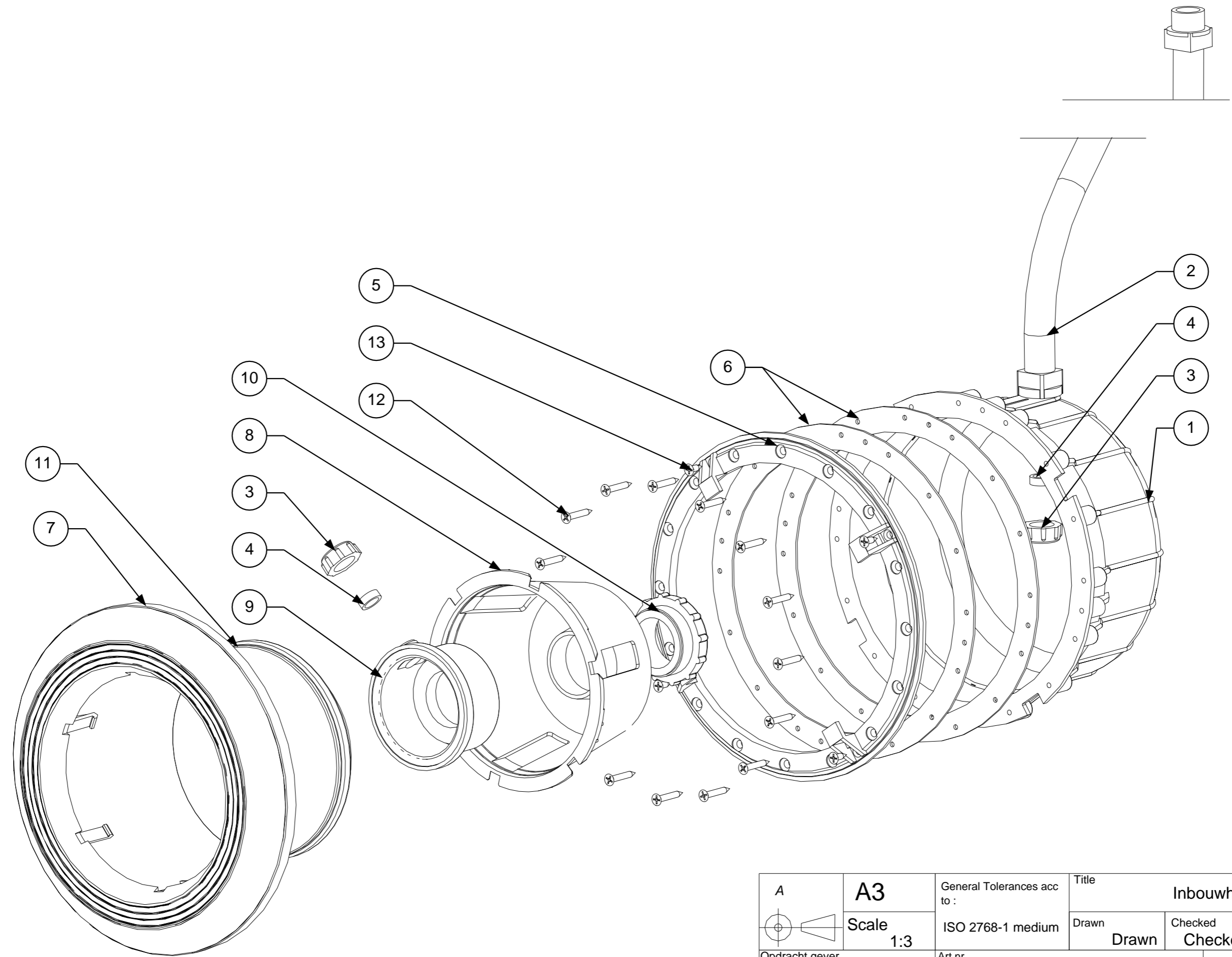
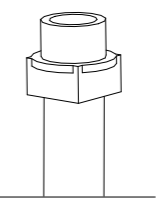


| | | | |
|--------|---------------|------|------|
| RevNr. | Revision note | Date | Sign |
|--------|---------------|------|------|

| Stuk - nr | Eenheid | Omschrijving / Materiaal | Artikel nr. / Tekening nr. | Aantal |
|-----------|---------|----------------------------|----------------------------|--------|
| 1 | 1 | Behuizing | --- | |
| 2 | 1 | Standbuis | 302005 | |
| 3 | 2 | Wartel | 302006 | |
| 4 | 2 | Knelring Rubber | 302008 | |
| 5 | 1 | Klem ring | 302010 | |
| 6 | 2 | Pakking | 302003 | |
| 7 | 1 | Topkap | 302004 | |
| 8 | 1 | Fixeerkegel | 302011 | |
| 9 | 1 | Verbindingskap | 302012 | |
| 10 | 1 | Schroefdoop | 302013 | |
| 11 | 1 | Lamp Par 56 | ----- | |
| 12 | 16 | Verzonkenkopschroef 4.8x32 | ----- | |
| 13 | 4 | Verzonkenkopschroef 4.8x16 | ----- | |

| | | | | | |
|----------------|--------------|--|--|---------------------------|---------------------------|
| A | A3 | General Tolerances acc to : ISO 2768-1 medium | Title Inbouwhuis Par 56 | | |
| | Scale 1:3 | | Drawn J.W. | Checked Checked | Dat. 09-04-2008 |
| Opdracht gever | | Art.nr. 0 | Meßner Benelux Winkelskamp 13 7255 PZ Hengelo Gld | | |
| | | Doc.nr. GW 002 0001 | | | |

| | | | |
|--------|---------------|------|------|
| RevNr. | Revision note | Date | Sign |
|--------|---------------|------|------|



| | | | | | |
|-----------------|-----------|-----------------------------|--|-----------|-----------------|
| | A3 | General Tolerances acc to : | Title | | |
| | Scale 1:3 | ISO 2768-1 medium | Inbouwhuis Par 56 | | |
| Opdracht geveer | Art.nr. 0 | Doc.nr. GW 001 0001 | Drawn | Checked | Dat. 09-04-2008 |
| | | | Drawn | Checked | |
| | | | Sheet nr. 2 | Rev.nr. 0 | |
| | | | Meßner Benelux Winkelskamp 13 7255 PZ Hengelo Gld | | |

1

2

3

4

5

6

7

8

RevNr.

Revision note

Date

Sign

A

A

B

B

C

C

D

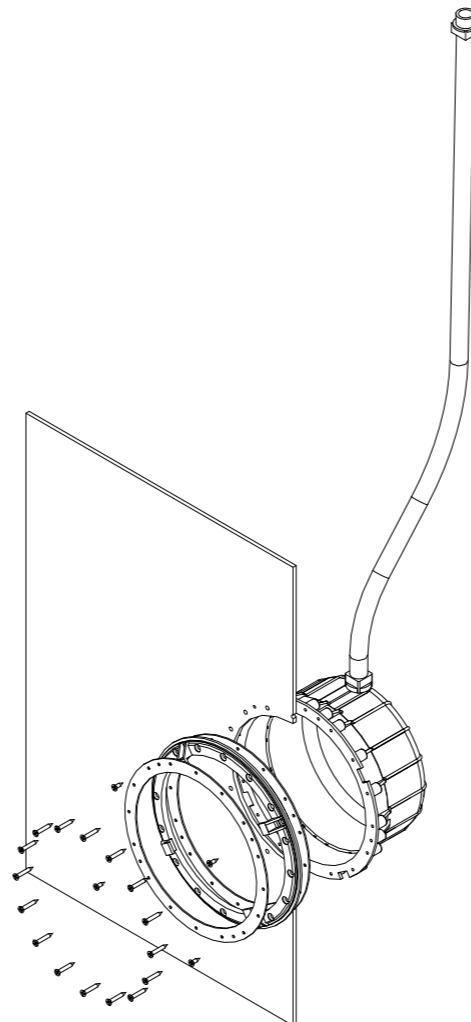
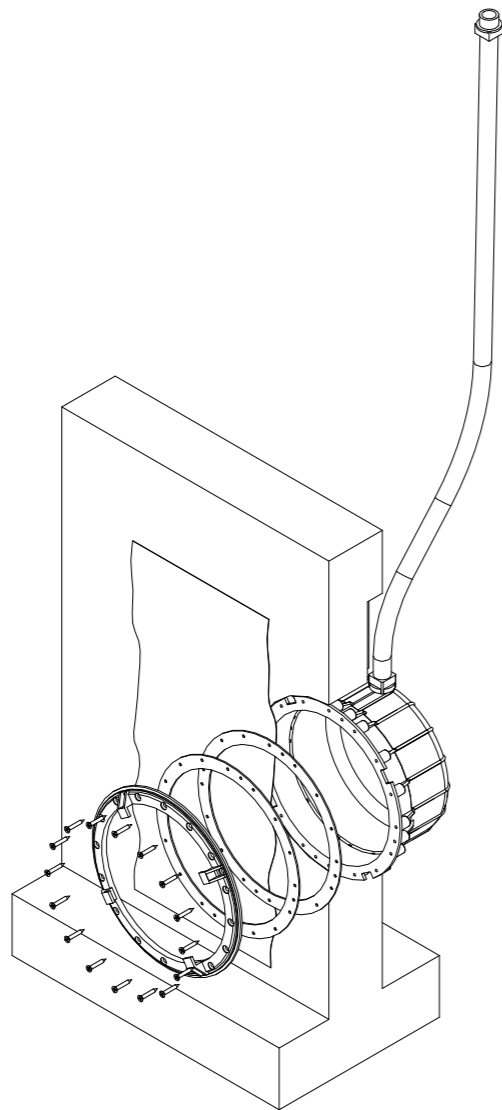
D

E

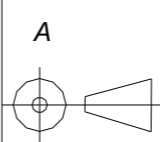
E

F

F



T.F.R
SCALE 1 : 10

| | | | | | |
|---|--------------|--|--|--------------------|--------------------|
|  | A3 | General Tolerances acc to : ISO 2768-1 medium | Title X | | |
| | Scale 1:1 | | Drawn Drawn | Checked Checked | Dat. 31-10-2007 |
| Opdracht gever | | Art.nr. 0 | Meßner Benelux Winkelskamp 13 7255 PZ Hengelo Gld | | |
| | | Doc.nr. 0 | | | |

1

2

3

4

5

6

7

8

| | | | |
|--------|---------------|------|------|
| RevNr. | Revision note | Date | Sign |
|--------|---------------|------|------|

A

A

B

B

C

C

D

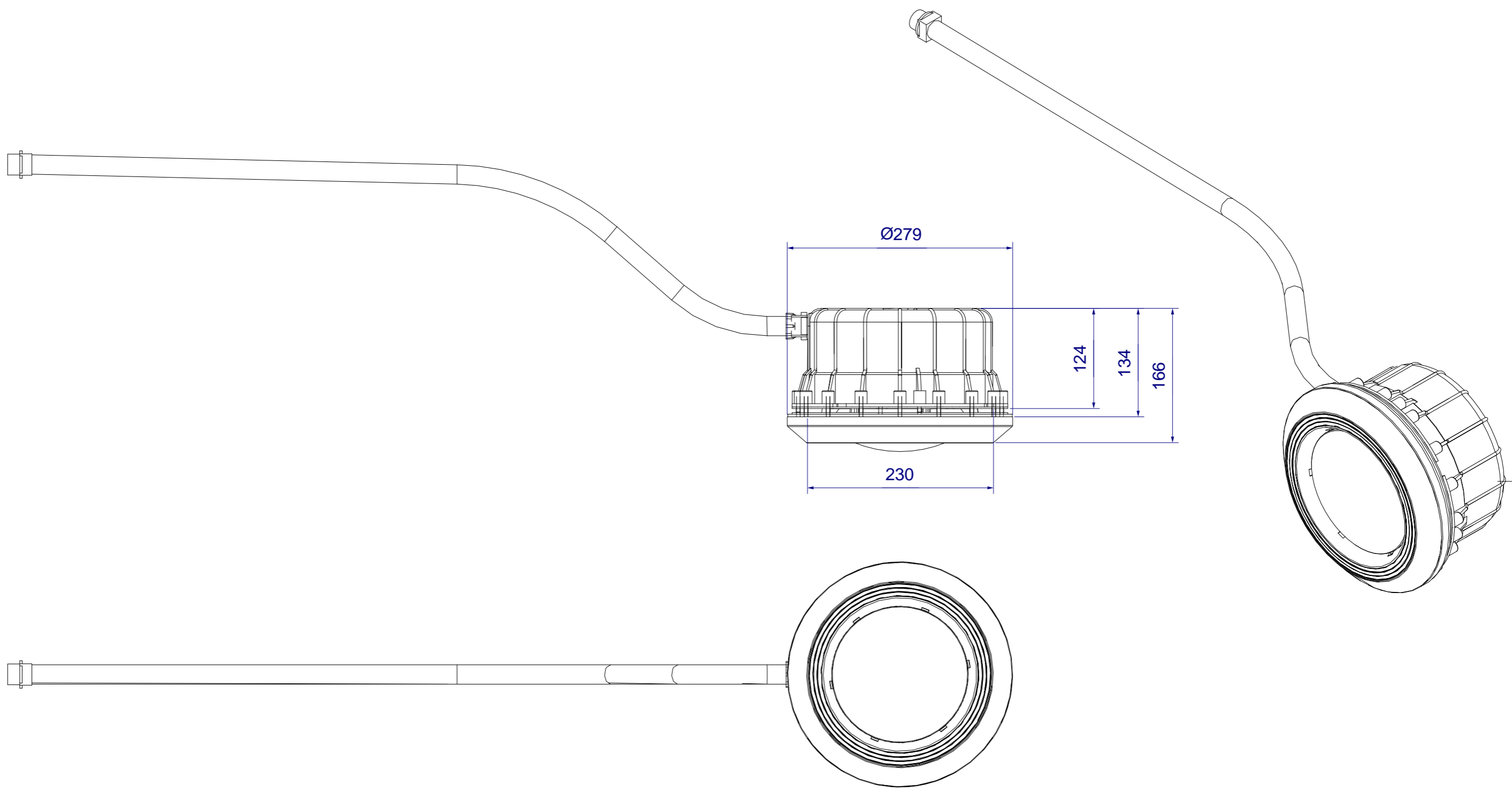
D

E

E

F

F



| | | | | | |
|---------------|-----------|-----------------------------|--|---------|------------|
| | A3 | General Tolerances acc to : | Title | | |
| | Scale 1:5 | ISO 2768-1 medium | Drawn | Checked | Dat. |
| Opdrachtgever | Art.nr. | 0 | Drawn | Checked | 09-04-2008 |
| | Doc.nr. | GW 002 0001 | Sheet nr. | Rev.nr. | |
| | | | 1 | 0 | |
| | | | Meßner Benelux Winkelskamp 13 7255 PZ Hengelo Gld | | |