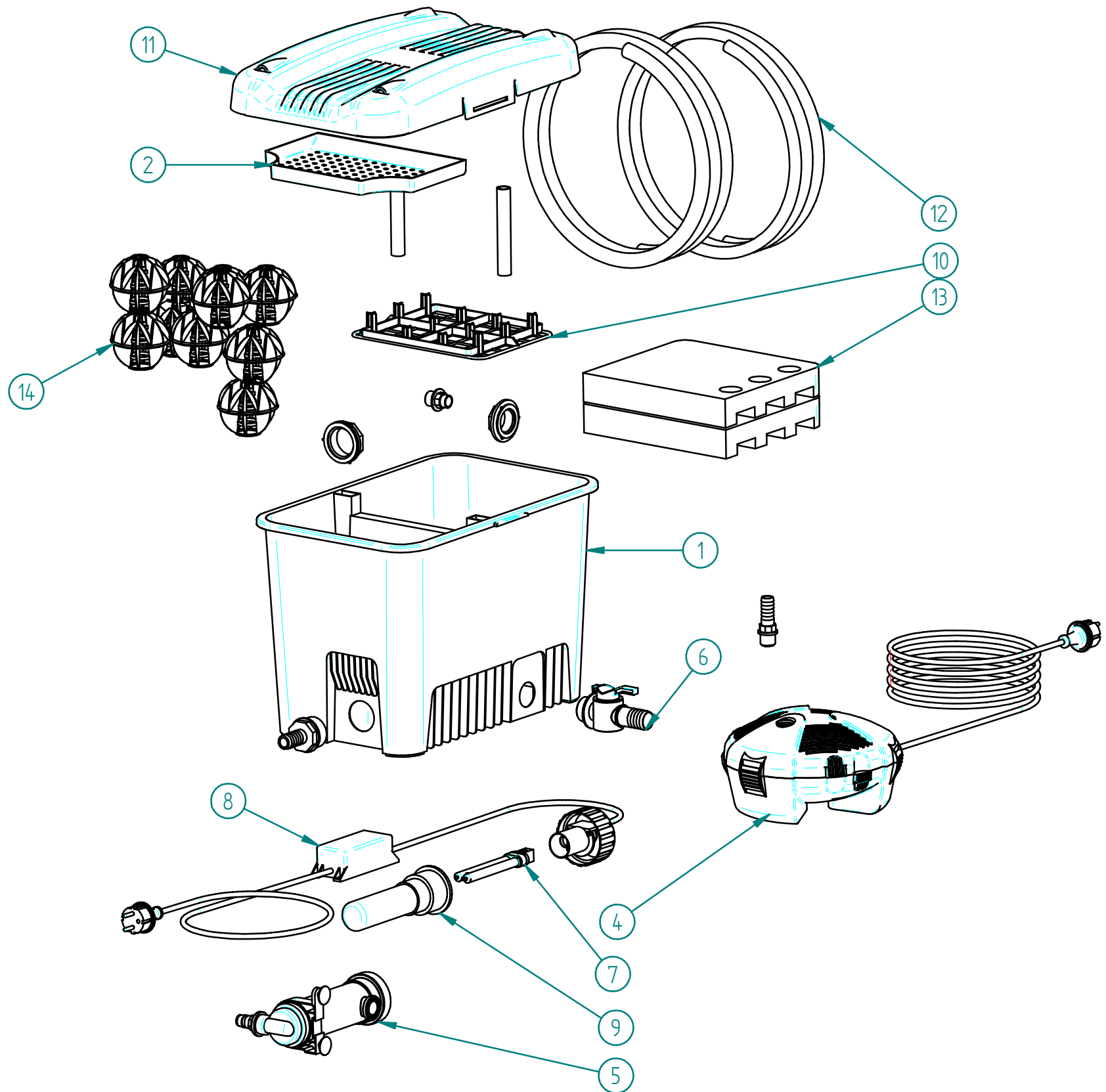
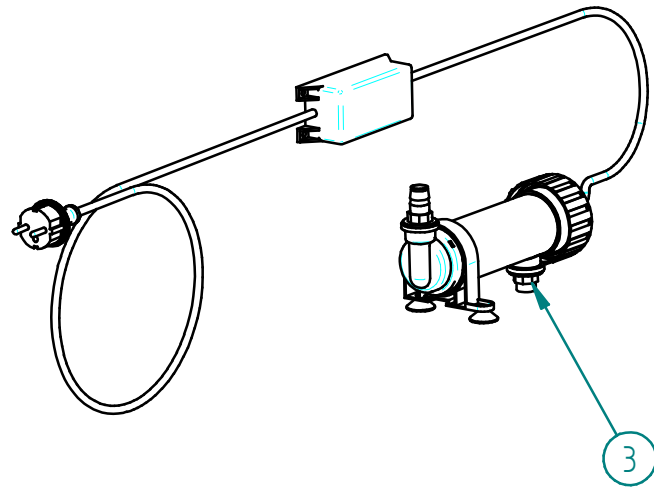


REVISION HISTORY			
REV	DESCRIPTION	DATE	APPROVED



Item Number	Title	BioPond 5000	BioPond 10000	Biopond 16000
1	Bak	NVT	NVT	NVT
2	Wet & dry screen	NVT	NVT	NVT
3	UVC Compleet	99B114	99B086	99B087
4	Pomp Multiqa	MAV1100	MAV2500	MAV4000
5	UVC Behuizing	NVT	99B084	99B085
6	Assesoireset	99B119	99B090	99B091
7	UVC Lamp	99B100	99B061	99B062
8	Ballast	NVT	99B084	99B085
9	Quatzbuis	99B113	99B089	99B089
10	Grid	NVT	NVT	NVT
11	Deksel	NVT	NVT	NVT
12	Slangenset	NVT	NVT	NVT
13	Sponsset	99B115	99B032	99B092
14	Bioballen	NVT	NVT	NVT

Projection 	Scale: 1 : 2.5	General tolerances: DIN 7168 - m	Gen. surface rough.: Ra 3.2	Draw. size A3
	Dim.: mm	Tolerance principle: ISO 8015	Fit tolerance: ISO 286	
Name: BIOPOND 5000-10000-16000	Drawing number			Revision
	Biopond 5000-10000-16000			
Material:	Revision		Status	
	Date: 22-3-2010		Available	
	Winkelskamp 13 7255 PZ Hengelo Gld. info@messner.nl +31 (0)575 468020 www.messner.nl +31 (0)575 461244		Name: Jos Wolbrink	
	This drawing is the property of MESSNER BENELUX BV and shall not be used, copied or shown to third parties without written permission of MESSNER BENELUX		Contr.:	

DO NOT SCALE